

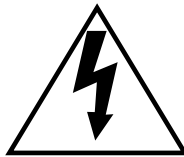
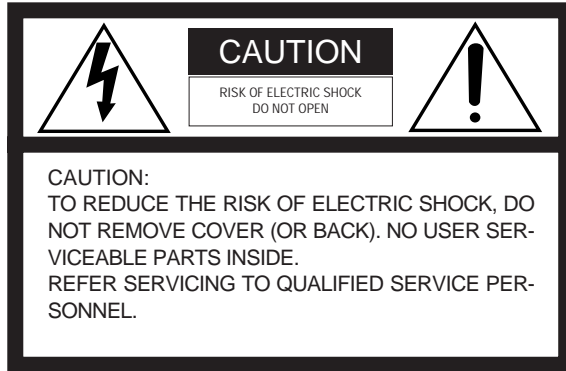
RGB Card
AW-PB302

Operating Instructions



Panasonic®

Before attempting to connect or operate this product,
please read these instructions completely.



SA 1965

The lightning flash with arrowhead symbol, within an equilateral triangle, is intended to alert the user to the presence of uninsulated "dangerous voltage" within the product's enclosure that may be of sufficient magnitude to constitute a risk of electric shock to persons.



SA 1966

The exclamation point within an equilateral triangle is intended to alert the user to the presence of important operating and maintenance (servicing) instructions in the literature accompanying the appliance.

WARNING:

TO PREVENT FIRE OR SHOCK HAZARD, DO NOT EXPOSE THIS APPLIANCE TO RAIN OR MOISTURE.

For U.S.A.

NOTE: This equipment has been tested and found to comply with the limits for a Class A digital device, pursuant to part 15 of the FCC Rules. These limits are designed to provide reasonable protection against harmful interference when the equipment is operated in a commercial environment. This equipment generates, uses, and can radiate radio frequency energy and, if not installed and used in accordance with the instruction manual, may cause harmful interference to radio communications. Operation of this equipment in a residential area is likely to cause harmful interference in which case the user will be required to correct the interference at his own expense.

For CANADA

This digital apparatus does not exceed the Class A limits for radio noise emissions from digital apparatus set out in the Radio Interference Regulations of the Canadian Department of Communications.

The information marking of this product may be found on the bottom of the unit.

The serial number of this product may be found on the bottom of the unit.

You should note the serial number of this unit in the space provided and retain this book as a permanent record of your purchase to aid identification in the event of theft.

Model No. _____

Serial No. _____

CONTENTS

PREFACE	2
SPECIAL NOTES ON OPERATION	2
PRECAUTIONS	3
MAJOR OPERATING CONTROLS AND THEIR FUNCTIONS	4
MOUNTING	5
Connecting RGB Monitor or Image Processor	7
MENU ITEM SETTING	8
APPEARANCE	10
SPECIFICATIONS	11
STANDARD ACCESORIES	11

PREFACE

- When the RGB card is installed in a convertible camera, for example, AW-E300, R/G/B or Y/Pr/Pb component signals can be output.

SPECIAL NOTES ON OPERATION

- **Power Off Before Connecting or Disconnecting Cables**

Before plugging or unplugging the cables, be sure to switch power off.

- **Handle Carefully.**

Do not drop the product, or subject it to strong shock or vibration. This is important to prevent trouble.

- **Avoid Humidity and Dust.**

Avoid using the product at a humid, dusty place because much humidity and dust will cause damage to the parts inside.

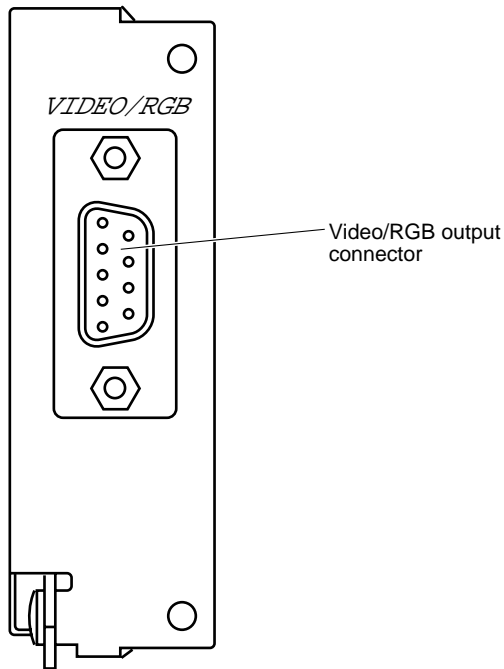
- **Operating Temperature Range**

Avoid using the product at a cold place below -10°C or at a hot place above +45°C because extremely low or high temperature will adversely affect the parts inside.

PRECAUTIONS

- Ask a qualified service person for repairs when necessary.
- Do not attempt to disassemble the camera, Remote Control Unit (RCU) or other units. In order to prevent electric shock, do not remove screws or covers. There are no user-serviceable parts inside.
- Do not let water, metal, or other foreign objects inside. This is important to prevent fire and electric shock.
- If you see smoke or smell an odor from the product, if water or other foreign matter gets inside, if it is damaged by dropping, or if you find anything wrong with it, immediately stop using it.

MAJOR OPERATING CONTROLS AND THEIR FUNCTIONS



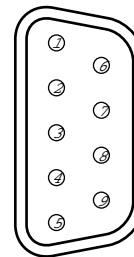
Video/RGB Output Connector [VIDEO/RGB]

Composite signals, RGB/YPrPb/YC component signals, and synchronizing signals are output.

These output signals can be selected using the menu. Use the special cable WV-CA9T5 (Dsub-BNC) or WV-CA9T9 (Dsub-Dsub) to connect to it.

Pin No.	Signal	Pin No.	Signal
1	COMPOSITE GND	6	COMPOSITE
2	VIDEO GND	7	SYNC
3	R/Pr/C	8	SYNC GND
4	G/Y/Y	9	NC
5	B/Pb/-		

Pin assignments

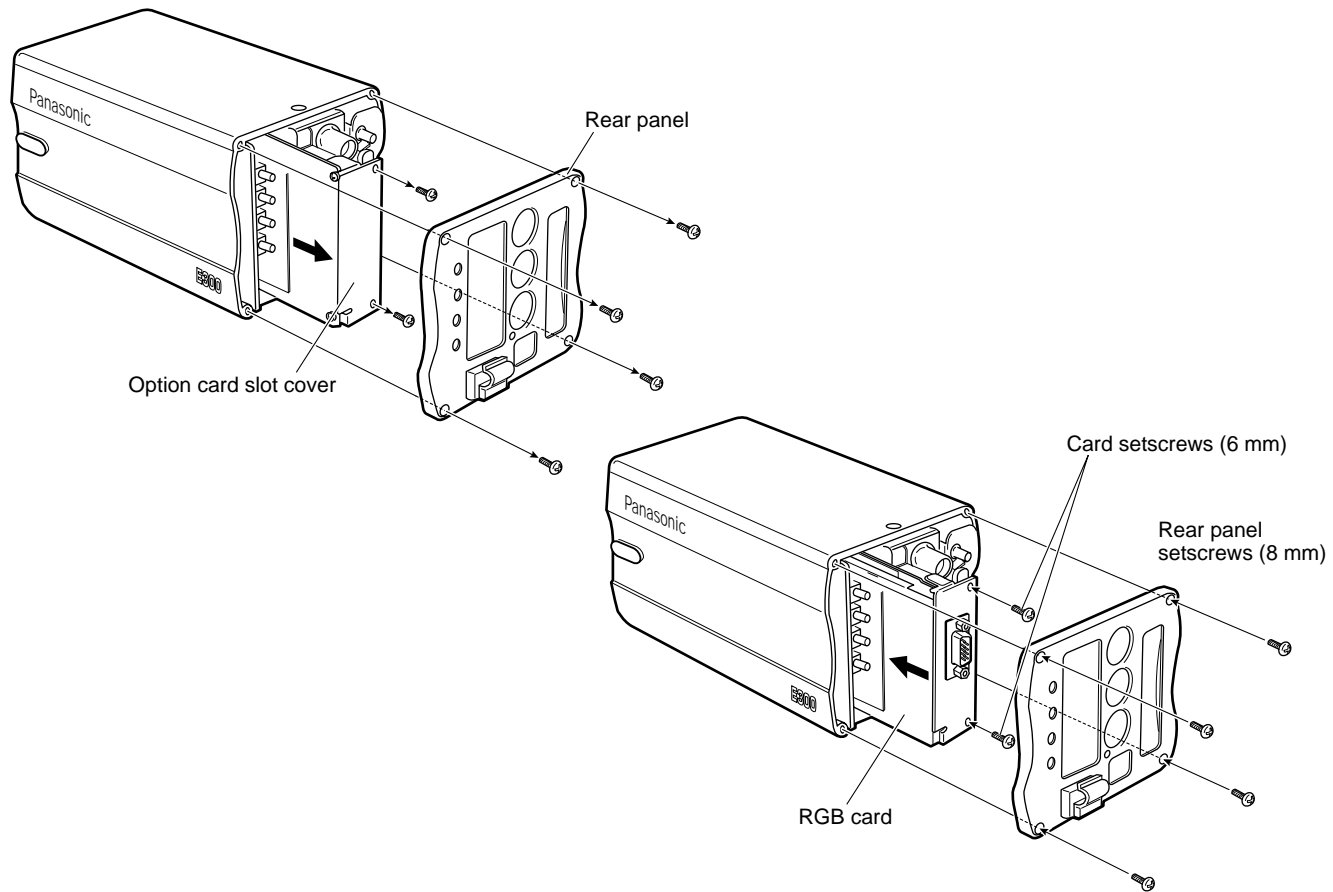


MOUNTING

CAUTION

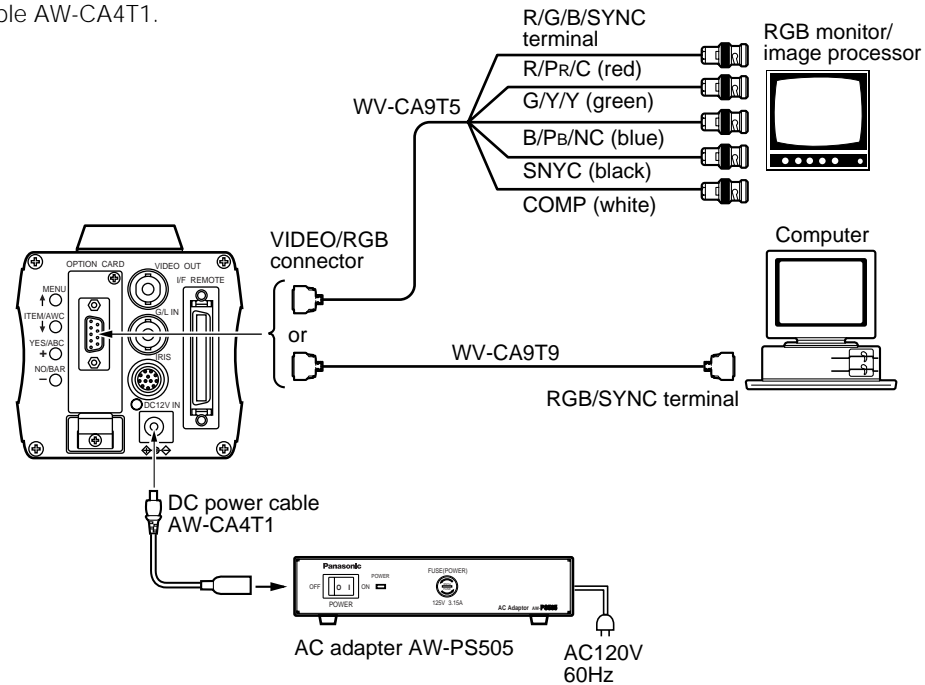
- Be sure to ask your store, where you purchased the product, for mounting.
- Disconnect the camera power connector before mounting.
- Before handling the card, touch a metal part of the camera to discharge the static from the human body.
An anti-static wrist strap is recommended for added safety.
If you touch the card while you are still charged with static, it may cause trouble.
- Keep the metal parts of the card free of contact with other metal parts.

- (1) Switch the camera off, and disconnect the power connector and other cables from the camera.
- (2) Loosen the four screws on the rear of the camera and remove the rear panel.
- (3) Loosen the two screws for the option card slot and remove the cover.
- (4) Insert the RGB card along the guide rail at the bottom of the camera and the tab above.
Insert it securely all the way.
- (5) Tighten the two card setscrews securely.
If you have lost the screws, use the screws (6 mm long) supplied as accessories.
- (6) Fasten the rear panel with the four screws.
If you have lost the screws, use the screws (8 mm long) supplied as accessories.
- (7) Plug the cables back as necessary, connect the power connector, then switch power on.



Connecting RGB Monitor or Image Processor

- To input signals to an RGB monitor or image processor, connect the VIDEO/RGB output connector to it with the cable WV-CA9T5 (Dsub-BNC: 5 m) or WV-CA9T9 (Dsub-Dsub: 5 m).
- Use the AC adapter AW-PS505 for power supply.
Use the power cable AW-CA4T1.



MENU ITEM SETTING

A convertible camera, for example, AW-E300, can be set using the menu as suited to the system and shooting conditions. For details, refer to the operation manual for the camera.

■ Setup Procedures (Output Signal Selection)

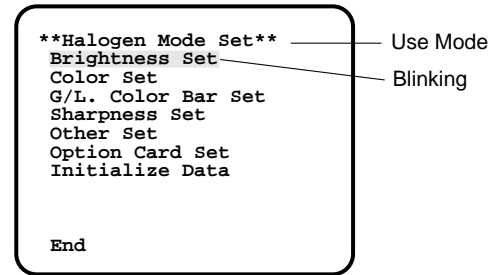
(1) Display the main menu.

Camera alone: Keep the menu switch depressed for 5 seconds or more.

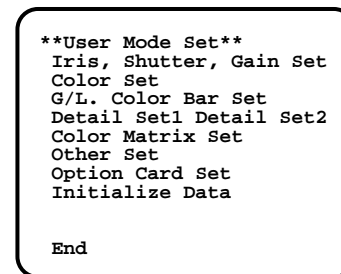
With RCU (RCB): Set the user set switch in the pocket to ON.

● MAIN MENU SCREEN

Main Menu of Halogen,
Fluorescent, Outdoor Mode



Main Menu of User Mode



(2) The setting item (flashing) changes each time the menu switch, item switch, or NO switch is pressed. Select [Option Card Set] and press the YES switch to display the [Option Card Set] submenu.

(3) Select [Component] with the menu switch and item switch, and select [R/G/B] or [Y/Pr/Pb] or [Y/C] with the YES and NO switches.

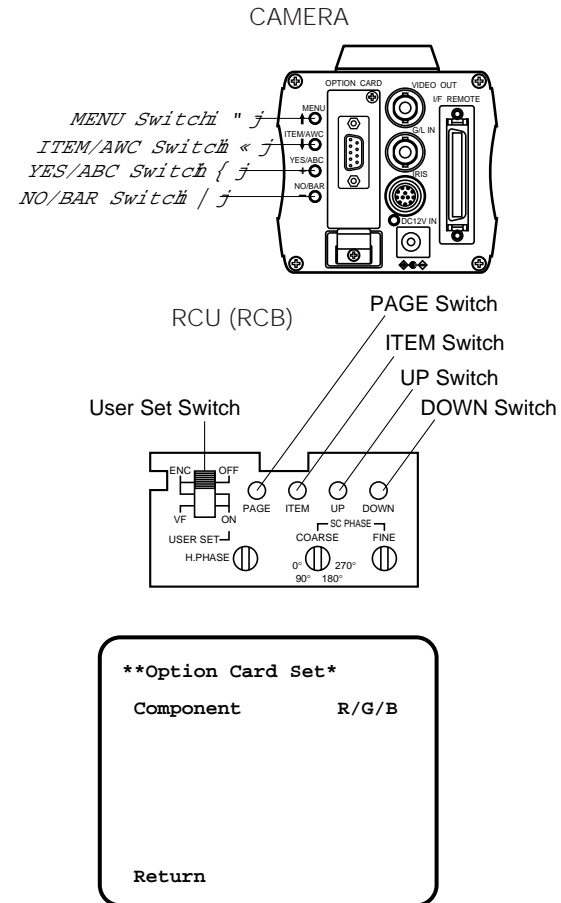
(4) Select [Return] with the menu switch and item switch, and press the YES switch to return to the main menu.

(5) The camera is now back in shooting condition.

Camera alone: Select [End] with the menu switch and item switch, then press the YES switch.

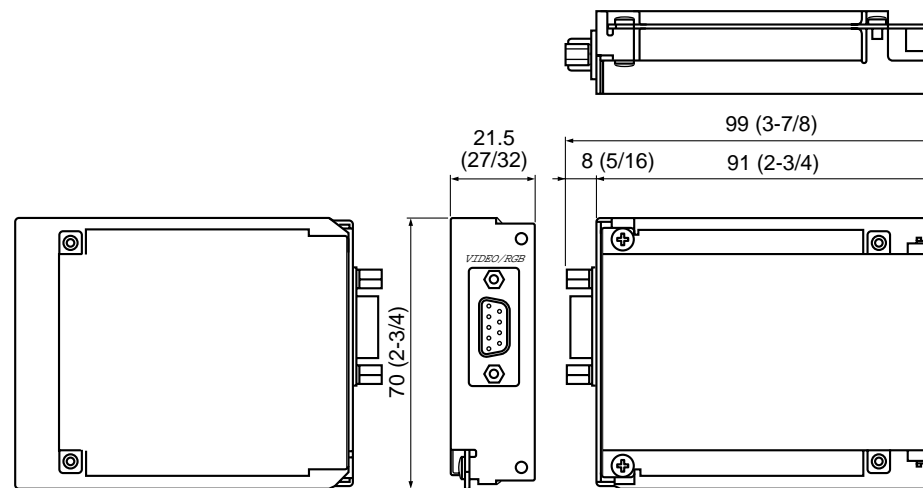
With RCU (RCB): Set the user set switch in the pocket to OFF.

The camera will now operate under the conditions thus set.



APPEARANCE

mm (inch)



SPECIFICATIONS

Video output:	NTSC composite: 1 V[p-p] (75 Ω) R/G/B: 0.7 V[p-p] (75 Ω) Y/C: Y: 1 V[p-p], C: 0.286 V[p-p] Y/Pr/Pb: Y: 1 V[p-p], Pr/Pb: 0.7 V[p-p] SYNC: 2 V[p-p] (75 Ω , selected output from 9-pin Dsub connector or 50-pin Dsub camera connector)
Switch:	Component output switching (selected with menu)
Source voltage:	12 V DC (supplied from camera)
Power consumption:	2.4 W
Operating temperature:	-10°C to +45°C (14°F to +113°F)
Operating humidity:	30 % to 90 %
Dimensions:	21.5 (W) x 70 (H) x 99 (D) mm [27/32" x 2-3/4" x 3-7/8"]
Weight:	80 g

Weight and dimensions indicated are approximate.
Specifications are subject to change without notice.

STANDARD ACCESSORIES

Screw (6 mm long)	2 pcs
Screw (8 mm long)	4 pcs

Panasonic

Broadcast & Television Systems Company

Division of Matsushita Electric Corporation of America

Executive Office: One Panasonic Way 3F-5, Secaucus, NJ 07094

Regional Offices:

EASTERN ZONE: 50 Meadowlands Parkway, Secaucus, NJ 07094 (201) 348-7620

CENTRAL ZONE: 1707 North Randall Road, Elgin, IL 60123 (847) 468-5200

SOUTHERN ZONE:

Atlanta Region: 1225 Northbrook Parkway, Suite 1-160, Suwanee, GA 30024

Panazip 11 (770) 338-6841, fax (770) 338-6741

Law Enforcement Video Products: 1225 Northbrook Parkway, Suite 1-160, Suwanee,

GA 30024, Panazip 11 (770) 338-6844, fax (770) 338-6721

WESTERN ZONE:

Seattle Region: 1200 Westlake Ave. North, Suite 508, Seattle, WA 98109 (206) 285-8883

Los Angeles Region: 6550 Katella Ave. 17A-1, Cypress, CA 90630 (714) 373-7271

Government Marketing Department: 52 West Gude Drive, Rockville, MD 20850 (301) 738-3840

PANASONIC CANADA INC.

5770 Ambler Drive, Mississauga, Ontario, L4W 2T3 Canada (905) 624-5010

PANASONIC SALES COMPANY

DIVISION OF MATSUSHITA ELECTRIC OF PUERTO RICO, INC.

San Gabriel Industrial Park, 65th Infantry Ave. KM. 9.5 Carolina, Puerto Rico 00630 (809) 750-4300

N1098-0

7J1A217A

Printed in Japan